

## VK3YNG Foxhunt Sniffer Instruction Manual

(Updated version for version 3.0 hardware \*\*\*)



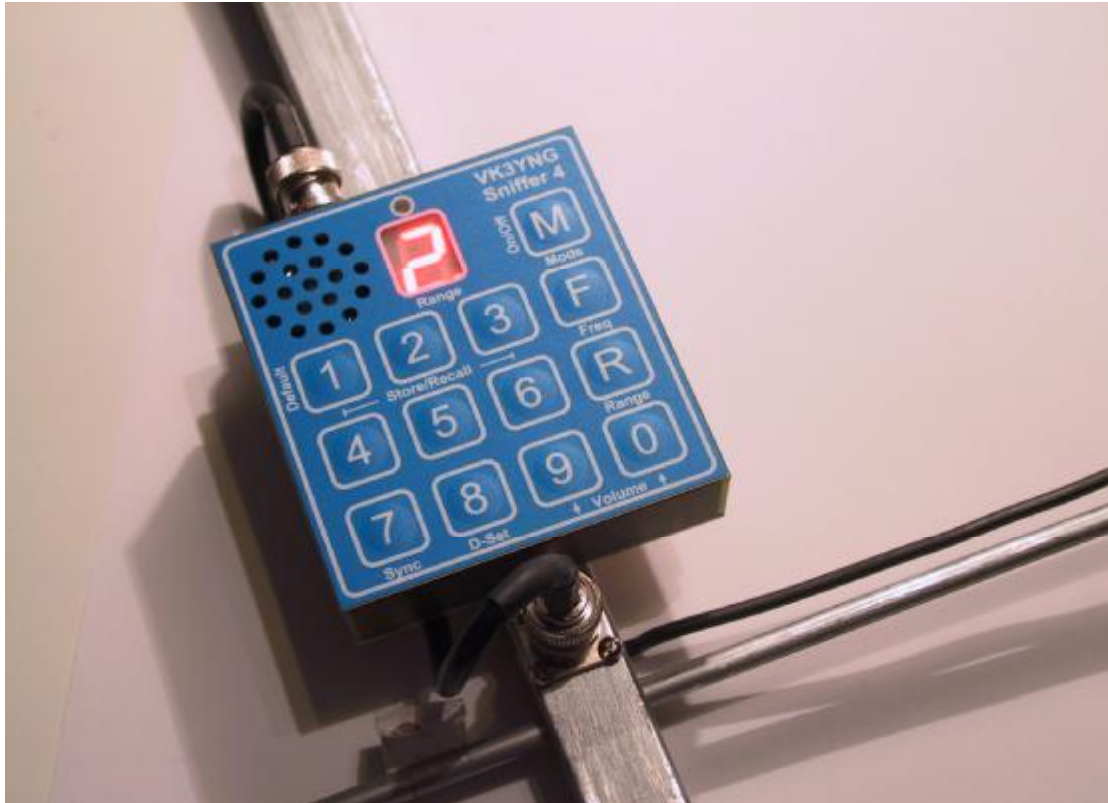
The VK3YNG Foxhunt Sniffer is a specially designed synthesised VHF direction finding receiver covering 120MHz and 144MHz bands.

The receiver is designed for quickly finding the direction of beacons or hidden transmitters. Anything from distant weak signals to very close “sniffing” of transmitters running many watts of output power can be pin pointed accurately without suffering “overload” problems that plague other designs. Full auto-ranging operation allows the operator to quickly and intuitively locate the source of a signal without twiddling knobs or watching meters. The operator is freed to concentrate on more important things such as negotiating terrain or reading maps.

The unit is also available in a fully tested Board level format for those who wish to integrate the unit into other equipment or build their own housing.

**\*\*\*Note:** *A number of features have changed since earlier versions of the sniffer were released. This manual reflects operation of version 3.0 hardware and cannot be used for earlier versions of the MK4 sniffer. For a copies of earlier sniffer manuals please refer to the VK3YNG foxhunt web site (see the end of this manual).*

Introduction .....	3
Auto Power Down.....	4
Low Battery Indication.....	4
Display Brightness .....	4
Reduced Functionality mode: .....	4
Quick Button Reference: .....	5
Alternative Key Functions:.....	5
Detailed Button Operation.....	6
Mode/Power switch:.....	6
Power On: .....	6
Mode Selection: .....	6
FM Mute: .....	6
Power Off:.....	6
Memories .....	7
Recall functions.....	7
Store functions .....	7
Sync Button .....	8
ARDF Sync: .....	8
Band Scan: .....	8
Other functions:.....	8
D-Set button.....	9
Special note: “Dset 0” in “Scout” mode:.....	9
Uptime indication:.....	10
Relative Battery Voltage indication: .....	10
Firmware version indication: .....	10
Volume Control.....	11
Range Control .....	11
Peak Hold Mode.....	11
Peak range memory .....	11
Frequency Entry .....	12
Configuring the Sniffer .....	13
Tone (RSSI) Filtering:.....	13
Minimum filtering (1):.....	13
Medium Filtering (2): .....	13
Maximum Filtering (3): .....	13
Peak Extend mode Filtering (6): .....	13
ARDF/Scan Mode:.....	13
ARDF Mode (4): .....	13
Scan Ready (Non-ARDF) Mode (5): .....	13
Low Tone Mode (8): .....	14
Gambier Mode (9):.....	14
Reduced Functionality Mode (F): .....	14
Range Tones Announce (R):.....	14
Function Reset (7):.....	14
Battery Selection and Maximising Battery Life .....	15
Sample antenna designs.....	17
Specifications:.....	18
Links:.....	18



## Introduction

The VK3YNG sniffer is designed to allow quick, easy and accurate determination of the direction of a transmitted signal in either the 120-123MHz or 143-150MHz bands. The sniffer provides enough sensitivity to determine the direction of a signal from many kilometres or miles away. This is useful for ARDF, Radio Sport and general commercial or Civil Air Patrol use. It also provides enough attenuation to accurately determine the direction of signals right up to the source of the signal without suffering from overload or compression effects.

Attenuation (signal reduction) is provided automatically in steps of approximately 15dB each time a particular signal strength threshold is reached. The number of 15dB steps of attenuation is shown on an LED display. For example, a display value of zero indicates maximum sensitivity, where a value of 9 indicates a close or very strong signal that requires approximately 135dB of attenuation.

Signal strength indication is provided by an audible tone that increases in frequency (pitch) with increasing signal level. This is done because the human ear is a much more sensitive to changes in pitch than sound level. There is also no inertia or overshoot problems as tend to occur with signal meters. A special software algorithm ensures that the received signal strength tone does not suffer from “compression” effects that occur at higher signal levels with some designs.

## **Auto Power Down**

The sniffer will automatically power down if either of the following two conditions are met:

- 1) There has been no key pressed for at least 10 minutes.
- 2) There has been no “upward” progression in range for at least 10 minutes.

The sniffer will give five short beeps just before the unit powers down.

## **Low Battery Indication**

The sniffer functions accurately to supply voltages down to approximately 2.5 volts. Below this the accuracy becomes compromised or the sniffer may power itself down.

When power has dropped to 2.5 volts or lower, the display decimal point is enabled to warn the user that batteries are in need of replacement.

## **Display Brightness**

A high efficiency Seven Segment Orange LED is used for the range display. It has two brightness settings, one for daytime use and a significantly reduced brightness level for night use. A light sensor located immediately above the display automatically determines the brightness level.

## **Reduced Functionality mode:**

This mode may be useful for children or first time operators. It allows the sniffer to be used in its most basic format and hides all programmability options from the user. This mode is very useful for scout foxhunting for example. For this reason, many refer to this mode as “Scout Mode”. This mode also has some special features to aid beginners.

## Quick Button Reference:

The following table gives quick index to key functions in both normal and reduced functionality modes.

Button	Operation in Normal mode	Operation in reduced functionality mode
1	Recall channel 1 (Hold to store frequency/mode)	Recall only channel 1
2	Recall channel 2 (Hold to store frequency/mode)	Recall only channel 2
3	Recall channel 3 (Hold to store frequency/mode)	Recall only channel 3
4	Recall channel 4 (Hold to store frequency/mode)	Recall only channel 4
5	Recall channel 5 (Hold to store frequency/mode)	Recall only channel 5
6	Recall channel 6 (Hold to store frequency/mode)	Recall only channel 6
7	Band Scan or ARDF mode Start of cycle Synchronisation function.	No function
8	Range down Delay Set/Display. 1 to 5 seconds. 0=peak hold mode. (7-9 are special functions)	Battery level
9	Volume Down	No function
0	Volume Up	No function
R	Manual Range set/disable	No function
F	Frequency Entry (4 digits follow)	No function
M	Power/Audio Mode Select (Tone/AM/FM, Hold for power off)	Power On/Off only (instant power off)

## Alternative Key Functions:

The default operation mode of the sniffer can be reconfigured by holding down certain keys while powering up the unit. The sniffer will maintain this operation mode for subsequent power up/down cycles.

Button	Display during power-up	Function if pressed during power-up
1	n	Filter "A", Minimum Tone filtering. (fastest response)
2	o	Filter "B", Medium Tone filtering
3	P	Filter "C", Maximum Tone filtering (slowest response)
4	A	ARDF mode. Synchronised at power-up. Sync key is used to re-sync the transmitter cycle.
5	C	Scan mode. Sync key is used to scan for strongest signal between frequency stored in channels 5 and 6.
6	J	Filter "D", Tone Extend Mode. Used for very short duration signals.
7	H	Normal operation. Resets all options below:
8	L	Low-Tone mode (RSSI tones at quarter frequency. Resolution slightly reduced at low tone frequencies)
9	G	Mt Gambier mode (10-channel special- New in V3.0)
F	S	Reduced key functionality mode ("scout" mode)
R	T	Enable auto range change announcement tones

## Detailed Button Operation

### **M** *Mode/Power switch:*

#### **Power On:**

Pressing this button once powers on the unit to the frequency and mode stored in memory channel 1.

#### **Mode Selection:**

Pressing this button momentarily while the unit is powered up cycles the unit through its operating modes and briefly displays the selection on the display. The modes cycle through in the following sequence: “**A**” – AM reception, “**U**” – Unmuted FM reception, “**F**” – Muted FM reception and “**t**” – Signal strength Tone. The cycle then repeats. When headphones are used, one channel is always set to give signal strength tone, while the other channel follows the selected mode. This is useful for hunting different continuous carrier transmissions where the transmitters’ identification is given using either AM or FM modulation.

#### **FM Mute:**

The Muted FM mode offers a pseudo FM mute function to mute all receiver audio when the sniffer is not receiving a signal. This is a signal based (rather than noise based) mute that activates whenever the received signal is below the lower range threshold on ranges 1 upward and is always active on range 0.

#### **Power Off:**

Pressing and holding the Mode button for greater than 1 second will power down the unit. In reduced functionality mode, the unit will power off immediately when the Mode button is pressed. The mode switch operates only as a simple on/off switch in reduced functionality mode.

**1** through **6**

### **Memories**

Buttons 1 through 6 allow storing and recalling of memory modes and frequencies.

### **Recall functions.**

Pressing any of the buttons 1 through 6 in normal operation mode will recall the frequency and mode stored in non-volatile memory. In normal operation mode, the display will display the last 4 digits of the selected memories frequency in kilohertz. For example, a stored frequency of 147.425MHz will flash up the sequence “7 4 2 5”. The first two (100 and 10) megahertz digits are inferred by first entered digit as per the following table:

<b>Setting of “MHz” digit</b>	<b>Band selection</b>
0, 1, 2	120-122.995MHz
3 through 9	143-149.995MHz

The recalled frequency is not displayed in reduced functionality mode.

### **Store functions**

Pressing and holding any of buttons 1 through 6 will result in the selected frequency and mode being stored in the selected memory. The button must be pressed and held until two short beeps are heard in succession. This confirms that the data has been committed to memory.

The Store function is disabled in reduced functionality mode.

## **7** *Sync Button*

### **ARDF Sync:**

This facility is used to synchronise the receiver for use in international style (ARDF) foxhunting for a one-minute cycle, five-transmitter system.

In ARDF mode this timer is automatically synchronized when the receiver is switched on. Three short beeps are generated as confirmation of this mode. Pressing the Sync button re-synchronises this timer. Three short beeps are given to confirm this button has been pressed. The sync button should be pressed at the start of transmitter one's cycle.

At 50 seconds into the cycle, the sniffer will generate three short beeps giving 10 seconds warning that the current transmitter's cycle is about to end. If the sniffer is currently receiving at range 1 or lower, at four seconds before the completion of the current transmitter cycle the sniffer broadcasts a number of beeps corresponding to the number of the transmitter in the cycle which is about to commence. The pitch of these beeps is set slightly lower than the "50-second" beeps. The display also briefly flashes the number of the next transmitter. If a range down delay (d-Set) of zero is selected and the sniffer is not currently configured for manual ranging, the sniffer will automatically select range zero at the start of the next transmitters' cycle regardless of the current signal strength.

The ARDF sync mode is entered by pressing and holding the "4" button during power-up. It is cancelled by returning to Scan mode.

### **Band Scan:**

When ARDF mode is not selected, the "7" key performs a basic band scan operation where the sniffer hunts for the highest signal between the two frequencies stored in channel locations 5 and 6. The highest signal found is stored in channel 4. The scan will ignore any signals within approximately 10KHz of the frequency stored for channel 1 and the signal must be detectable at range 2 or higher to be stored.

This operation takes some time to complete, especially if there is large frequency difference between channels 5 and 6. The scan function works best for continuous signals and may not properly detect intermittent transmissions. Channel 5 must be lower in frequency than channel 6 and both frequencies must be within the same band (i.e. 120MHz or 140MHz)

The SCAN mode is entered by pressing and holding the "5" button during power-up. It is cancelled by entering ARDF Sync mode. Scan mode is the factory default.

### **Other functions:**

Holding the "7" key during power-up cancels the Low RSSI Tone mode, Range Change Announcement tones\* and the Reduced Key Functionality mode. In this mode



the signal strength tones function normally and the maximum signal strength pitch is 8KHz. This mode is set as the factory default. (*\*Note: this facility operates differently in older firmware versions*)

This key is disabled in reduced functionality mode.

## **8** **D-Set button**

Ranging up on the sniffer happens automatically with minimal delay. To implement short term peak detection, there is an intentional delay before the sniffer ranges down. This delay is programmable between 1 and 5 seconds using the D-Set button. For beginners, a value between 3 and 5 seconds is recommended. For more advanced users, 1 or 2 seconds gives better results. When hunting intermittent and very short duration transmissions such as those used on dog collars or wildlife, 5 seconds or “peak hold” mode (see below) is recommended. The factory default is 2 seconds.

To set the range down delay, press the “D-Set” button. The display will respond by displaying the letter “d”. Pressing buttons 0 through 5 will then set and store the new range down delay.

Pressing the D-set (7) button twice will briefly display the current range down delay in seconds. The display then reverts to displaying the current range.

Setting a range down delay of zero disables down ranging. In this case the sniffer operates in a “peak hold” mode and down ranging is disabled. Manual ranging is disabled and pressing the “range” button will reset the current peak hold range to zero. This mode is useful when hunting extremely intermittent signals such as dog collar, wildlife or model aircraft beacons.

Holding the “D-Set” key during power-up causes the sniffer to operate in lower tone RSSI mode. This mode may prove useful to those who have difficulty hearing higher audio frequencies. In this mode the signal strength tone frequencies are divided by 4. The top tone pitch is limited to about 2KHz and resolution becomes slightly limited at the lowest tone frequencies. (Note: this mode has no effect on the pitch of supervisory beep and tone frequencies)

This key is disabled in reduced functionality mode.

### **Special note: “Dset 0” in “Scout” mode:**

In version 3.0, if peak hold mode (Dset 0) is selected before the sniffer is set up for reduced functionality (“scout”) mode, the peak hold behavior behaves slightly differently. If a strong signal disappears for more than 5 seconds, the sniffer will range down by **one range only**. As with normal peak hold behavior it will stay there until the range is reset or the channel or frequency is changed.

This operation was added to give beginners a second go at a signal source if they happen “over shoot” it and the signal falls below the current peak range.

**Uptime indication:**

Pressing the “D-Set” button then pressing “7” will display 4 digits indicating the number of hours and minutes since the receiver was powered up. This can be useful for ARDF events where the user may have forgotten to synchronise their watch.

**Relative Battery Voltage indication:**

Pressing the “D-Set” button then pressing “9” will display two digits giving an indication of the relative battery capacity in percentage terms. 99% indicates a full battery while 0% indicates the point where sniffer operation is significantly compromised. The sniffer may power itself off before reaching 0%.

**Firmware version indication:**

Pressing the “D-Set” button and then pressing the “F” button will display 4 digits which indicate the installed firmware version.

## **9 0** *Volume Control*

During normal operation, the “9” and “0” buttons allow the setting of volume. The display briefly shows the new level and reverts to displaying the current range when the button is released. These buttons are disabled in reduced functionality mode.

## **R** *Range Control*

Normally the sniffer automatically selects the best range for the currently received signal. In some situations it may be necessary to range the sniffer manually. The range control button can be used for this purpose. This button also controls a number of other features depending on the mode selected.

In auto-ranging mode, pressing this button briefly displays the letter “r” in the display, and then the display reverts to displaying the current range. Pressing any digit then manually selects the range. The display briefly displays “r” followed by the selected range. The sniffer remains in manual ranging mode until defeated by pressing the “R” button a second time. This re-enables auto-ranging.

Holding this key during power-up enables\* the “range tone announcement” flag. When this flag is set, the sniffer generates a distinct “be-bop” tone sequence whenever the sniffer ranges up or down. The frequency of the tones gives the operator audible indication of the current range and the direction of the change. When this flag is cleared, (see the Sync Button section) range changes happen without announcement. *(Note: In older versions this key toggles between the enabled and disabled states. In V3.0 this key is an enable only. The “7” button serves as the disable key)*

This key is disabled in reduced functionality mode.

### **Peak Hold Mode**

This range button also resets the peak range hold function if the down range delay (D-set) is set to zero. In peak hold mode, manual ranging is disabled.

### **Peak range memory**

If the range button is pressed twice in succession, the display will briefly show the maximum range the sniffer has achieved since power up or the last successful frequency change. *(In version 3.0, pressing “Dset” and then “Range” also performs this same operation)*

In ARDF mode, (see Sync button section) the peak range value is automatically reset near the end of the next transmitter cycle. This is very useful if there is a need to check what range the sniffer got to just before the previous transmitter finished its cycle.

This function is not available when Peak Hold mode (dSet=0) is selected.

## **F** Frequency Entry

The sniffer can operate at any frequency in the range 120.000-122.995 and 143.000 - 149.995MHz\* in 5KHz steps. Pressing the “F” button initiates frequency entry. The display confirms this by displaying “F”. The sniffer then expects four digits to be keyed in to set the desired frequency. If an error occurs while entering frequency, the letter “E” is briefly displayed and the sniffer then reverts to the previous operation frequency. The first digit sets both the 1MHz frequency and the band. 0 through 2 sets the 120MHz band. 3 through 9 set the 140MHz band.

Factory default frequencies

Memory	Frequency	Mode
1	145.300MHz	Tone
2	145.700MHz	Tone
3	144.250MHz	Tone
4	146.500MHz	Tone
5	121.500MHz	Tone
6	146.575MHz	FM

Note: 121.5MHz is used as an international personal, maritime and aeronautical distress beacon frequency. With an appropriate antenna, the sniffer can be used to locate the homing frequency of PLB, ELT and EPIRB emergency beacons.

For the scan function to work correctly, the frequencies stored in channels 5 and 6 should be in the same band. This is not the case for the factory default configuration.

Direct frequency entry is not permitted in reduced functionality mode.

*(\*Note: Some special versions of the sniffer operate with different frequency ranges to those indicated above. The label on the rear of your sniffer will indicate the frequency range your sniffer covers.*

*Some special “narrowband” versions also allow 1kHz resolution. In this case the fourth digit entered can be any number from “0” to “9” instead of only “0” or “5”.*

*2.5kHz resolution can be available for some special builds. In this case “2” and “7” are also valid and correspond to xxx.xx25 MHz and xxx.xx75 MHz respectively.)*

## Configuring the Sniffer

The MK4 sniffer has a number of configurable features. Some of these have already been described in the previous sections. The rest are explained here.

### ***Tone (RSSI) Filtering:***

There are four levels of filtering available on the MK4 sniffer. These are selected by holding buttons 1, 2, 3 or 6 when powering up the sniffer. The sniffer will retain this setting until the next time it is changed.

#### **Minimum filtering (1):**

This level of filtering is the same as the original MK4. It offers the fastest and most accurate tracking of the received signal level. On transmitters with a high AM component (Such as ARDF transmitters), the tone can become quite “thick” sounding as the tone tries to partially track the modulation. In this case filter modes 2 or 3 are recommended. Setting “1” is the factory default.

#### **Medium Filtering (2):**

This level of filtering offers the best compromise between response time and Amplitude modulation (AM) filtering.

#### **Maximum Filtering (3):**

This mode provides maximum filtering of the received signal and is similar to that of the VK3TJN/XAJ Ultra-sniffer. While this mode offers the best smoothing of received signals it can significantly “blur” the definition of short duration pulses.

#### **Peak Extend mode Filtering (6):**

This is a special mode for use with very short duration repetitive signals such as those emitted from dog collar, wildlife or model aircraft transmitters. The transmitters used are typically very low power and transmit for around 40 milliseconds every second or two. The tone pitch and therefore signal direction can be very hard to determine using the above filtering modes.

This special mode extends the time of the peak level of the received signal so that the user can easily compare the signal level from different directions.

### ***ARDF/Scan Mode:***

#### **ARDF Mode (4):**

Holding the “4” button while powering up puts the sniffer into ARDF mode. In this mode the sniffer will power up giving three beeps and will synchronise the ARDF timer. For more information see the section on the Sync Button.

#### **Scan Ready (Non-ARDF) Mode (5):**

Holding the “5” button while powering up puts the sniffer into scan ready mode and disables ARDF mode. In this mode the sniffer gives a single beep during power up and the sync button executes a band scan function. This is the factory default. For more information see the section on the Sync Button.

**Low Tone Mode (8):**

In this mode the signal strength tone frequencies are divided by 4. See the description of the “Dset” button for more info.

**Gambier Mode (9):**

This is a special mode for Australian Championships “fox-or” foxhunting. In this case the “7”, “8”, “9” and “0” keys are reallocated as fixed frequency channel recall buttons. The sniffer is set up to recall a set of 10 frequencies that match the transmitters used in the Mount Gambier event. This is done without affecting the frequencies stored in the 6 standard memories and resetting from this mode (by powering up with the “7” key) will recall the previously programmed settings. Note that when this mode is set the functions normally allocated to these buttons (Sync, Dset and Volume) are not available.

Channel Key	Frequency	Channel Key	Frequency
1	144.000	6	145.250
2	144.250	7	145.300
3	144.500	8	145.500
4	144.750	9	145.700
5	145.000	0	145.750

**Reduced Functionality Mode (F):**

In this mode, most of the special features of the sniffer are disabled. This mode is useful when a newcomer or a scout group etc uses the sniffer. (Hence why some users call this “Scout Mode”) Memories can only be recalled and most of the other keys, including volume control are disabled. The power button only acts as a simple on-off and the mode of operation is defined by what is stored for each channel.

To set the sniffer in reduced functionality mode, press and hold the “F” button while powering up.

To cancel reduced functionality mode, press and hold the “7” key while powering up.

**Range Tones Announce (R):**

Enables the “range tone announcement” mode. See the description of the Range key for more info.

**Function Reset (7):**

This key resets the following modes if set:

- 1) Low Tone mode,
- 2) Range Tones Announce,
- 3) Reduced Functionality (scout) mode,
- 4) Gambier Mode

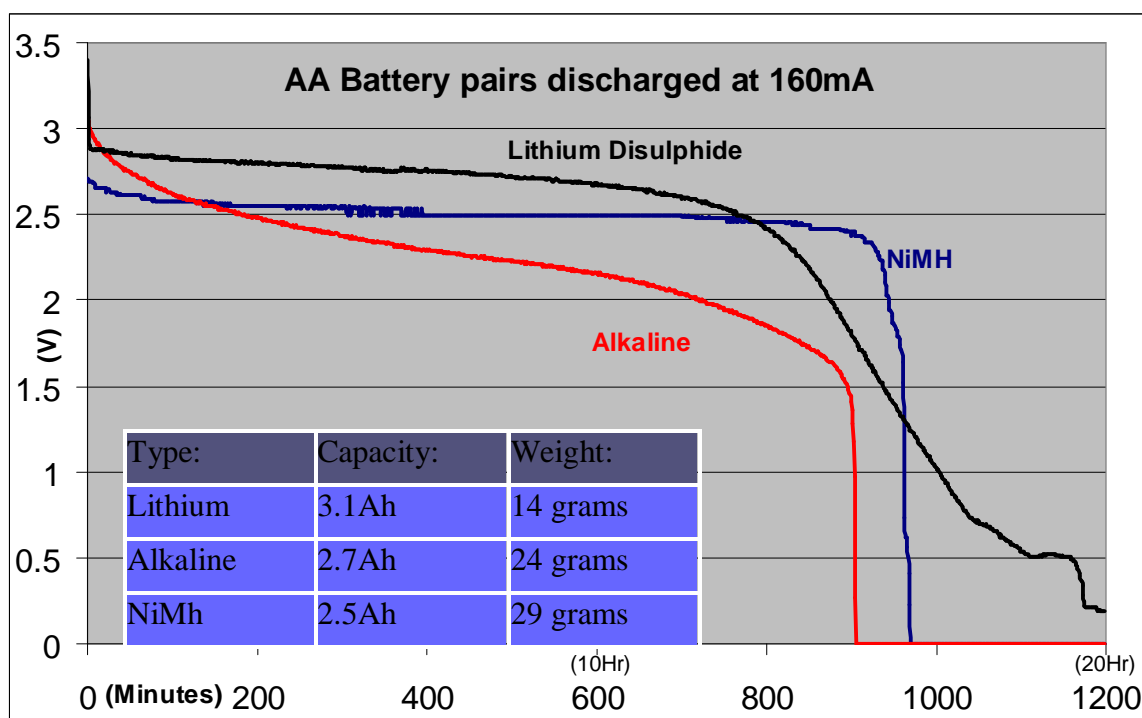
## **Battery Selection and Maximising Battery Life**

There are a number of solutions for extending battery life with the sniffer. The most critical one is the volume setting. Battery life is reduced considerably when using the internal speaker on a high volume level with a continuous signal. Use the lowest volume level possible when using the internal speaker or use external headphones. The display also operates at a higher intensity level for daytime use that puts more load on the battery. Typically night time only operation increases alkaline battery life by about 30%.

Users who would like to get the longest use between battery changes should consider using Lithium AA batteries. These batteries have a very long shelf life and capable of providing well over 14 hours of continuous daytime operation.

Zinc Carbon and General Purpose Manganese, or so called "Heavy Duty" batteries are not recommended. The internal resistance of these batteries is too high to get reliable operation from the sniffer.

This version of the sniffer can run off higher capacity NiMh batteries but this is generally not recommended as their terminal voltage (1.2V) is normally too low. The power supply module in V3.0 of the sniffer is capable of operating off NiMh batteries and their use may be considered if the sniffer is used very regularly. But keep in mind that the sniffer will always indicate the batteries as partially depleted, even when fully charged. When the batteries go flat the sniffer will stop operating abruptly with little or no warning. The sniffer also provides no means of charging these batteries. They must always be removed for charging.



The above graph shows the discharge rates of the typical battery options. It shows that the Lithium and 2500mAh NiMh can significantly outperform even the best alkaline batteries.

The lower published per cell terminal voltage of NiMh (1.2V) can become irrelevant as time increases since the voltage is essentially constant. Another downside is that the weight of these high capacity rechargeable batteries is around twice that of Lithium.

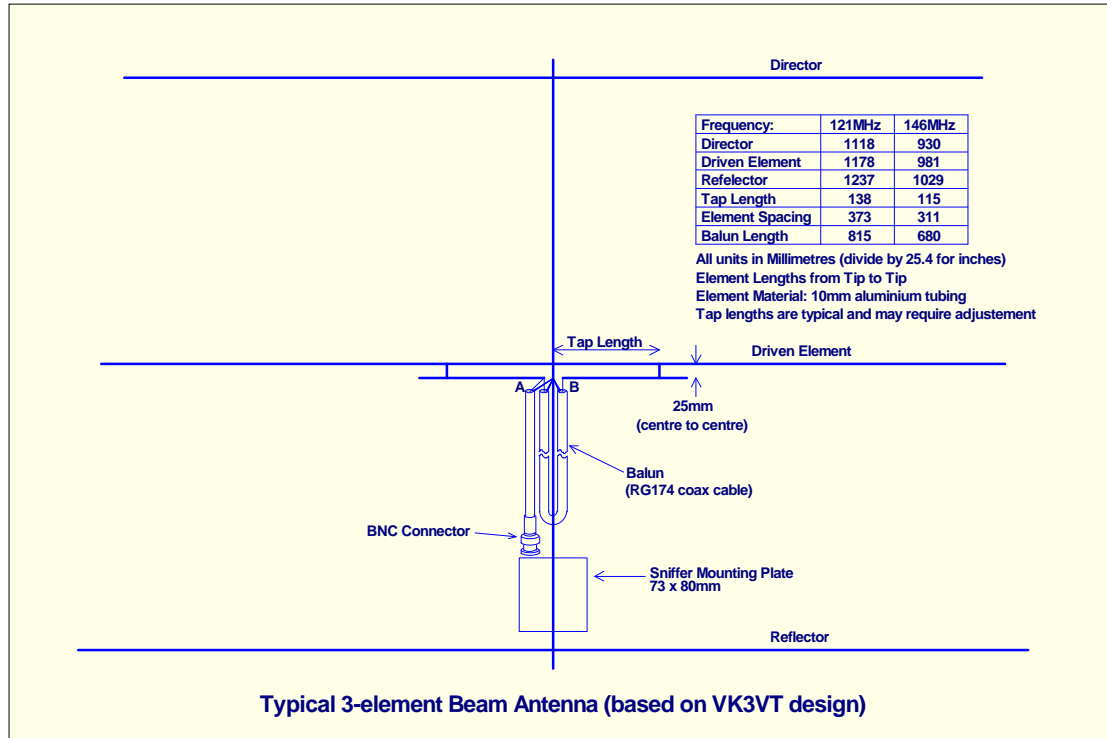
NiMh rechargeable batteries are not recommended for infrequent use. The self discharge rate of these batteries will mean that they will go flat after sitting unused in the sniffer for several months where Alkaline or Lithium batteries will maintain their usability for a much longer period.

It is always recommended to remove batteries of any type when the sniffer is not in use for extended periods.



## Sample antenna designs

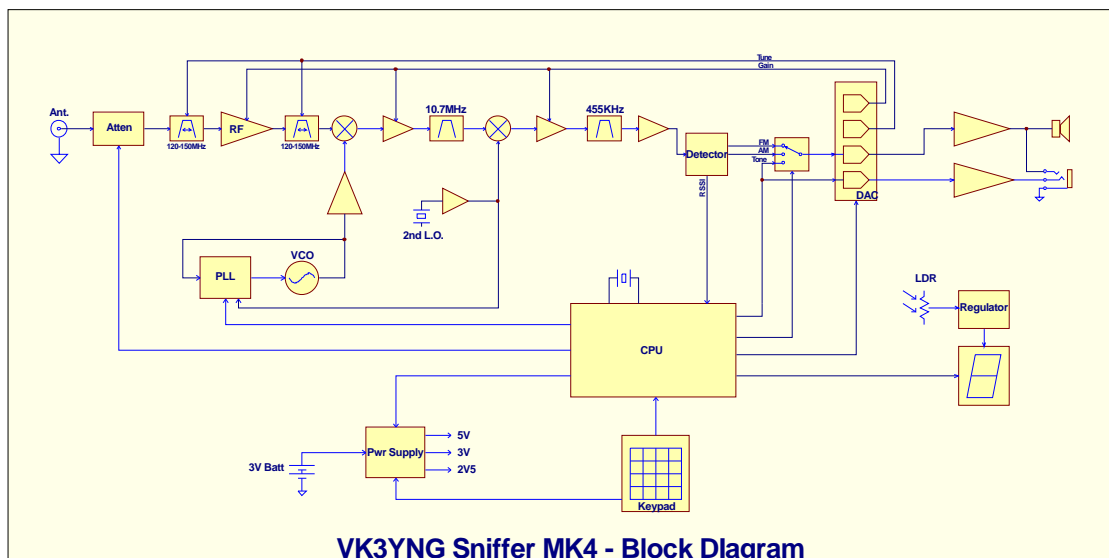
The antenna design is largely a matter of personal choice. For portable use, designs vary between two and four elements. More elements give better directivity and more precise bearings but are more difficult to carry around. For most situations, three elements offer a good compromise. Here is an example of antenna designs for 120 and 146MHz.



## Specifications:

Frequency Coverage	120-122.995MHz, 143-149.995MHz in 5KHz steps
Channel Bandwidth	16KHz
Sensitivity	Better than -120dBm
Maximum signal level	+30dBm
Power Supply	3VDC (2xAA Alkaline or Lithium penlight cells)
Battery Life*	Typically 3+ hours (alkaline), 14+ hours (Lithium)
Memories	6, programmable (stores mode and frequency) or 10 fixed.
Receive modes	AM, FM, Signal strength Tone
Max RSSI frequency	Programmable 2KHz or 8KHz
Size	76mm(W), 80mm(H), 25mm(D) not including BNC connector
Antenna Connection	BNC
Headphone Connection	3.5mm stereo

\*Note: Battery life is dependant sound level and display intensity. See section on battery life.



## Links:

More information on foxhunting and techniques can be found on these web sites:

Australian ARDF website:

<http://www.ardf.org.au>

Joe Moell's Foxhunting website. (A very good foxhunters resource)

<http://www.homingin.com>

Author: Bryan Ackerly, VK3YNG

Web page: <http://www.foxhunt.com.au>

Email : [info@foxhunt.com.au](mailto:info@foxhunt.com.au)

Phone +61 3 9752 3641 Fax: +61 3 8711 8428